

### Features

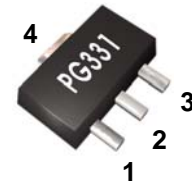
- 5MHz - 4000MHz
- 20 dB Gain at 900MHz
- +15.5 dBm P1dB
- +28.5 dBm Output IP3
- No need bias Resistor
- Lead-free / Green / RoHS-compliant SOT-89 Package



### Applications

- Broadband Gain Block
- Mobile Infrastructure
- Cellular, PCS, GSM, GPRS
- WCDMA, WiBro
- W-LAN / DMB
- RFID/ Fixed Wireless

### Functional Diagram



Function	Pin No.
RF IN	1
RF OUT / Bias	3
Ground	2,4

### Description

The PG331 is a high performance InGaP HBT MMIC Amplifier and consists of Darlington pair amplifiers. The amplifier features high linear performance, wideband operation and high reliability. The PG331 designed to enable to stable performance over temperature using an internal active bias of temperature compensated circuit. The PG331 operates from a single voltage supply and requires only two DC-blocking capacitors and a bias inductor for operation. A bias resistor is not required allowing the device to be biased directly from a +4.5V / +5V supply voltage. The device is a general purpose buffer amplifier that offers high dynamic range in a low cost surface-mountable plastic SOT-89 packages. All devices are 100% RF and DC tested.

### Specifications

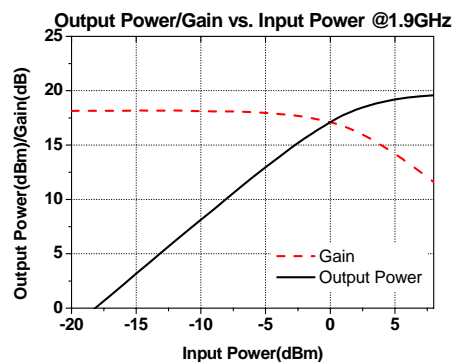
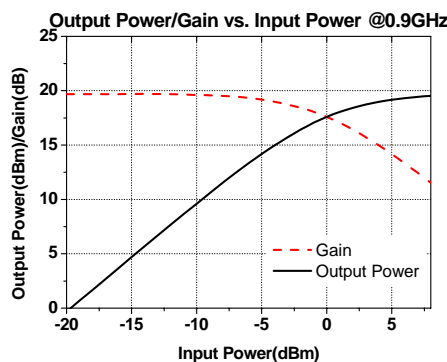
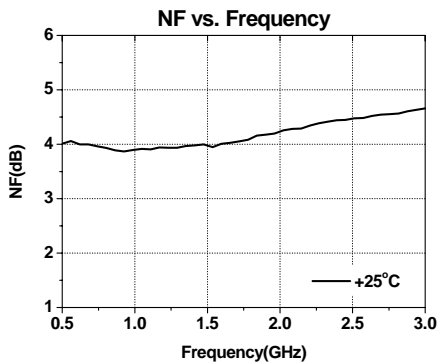
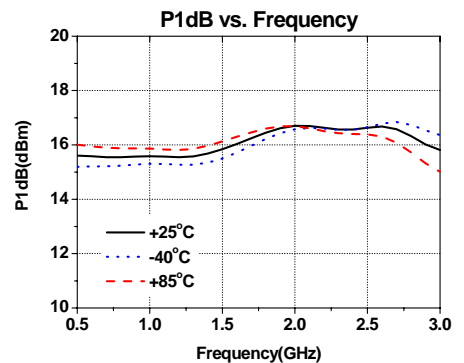
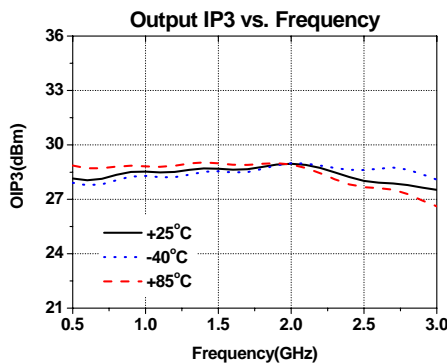
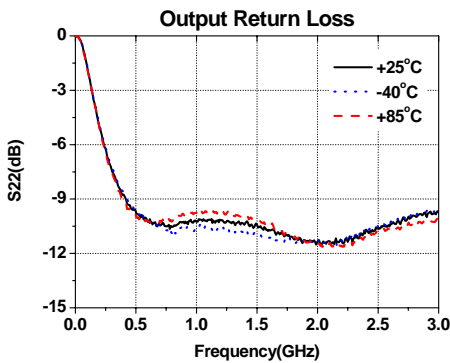
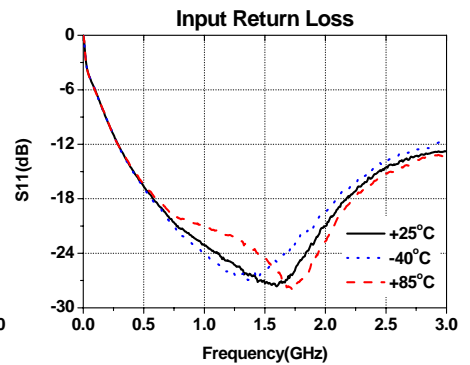
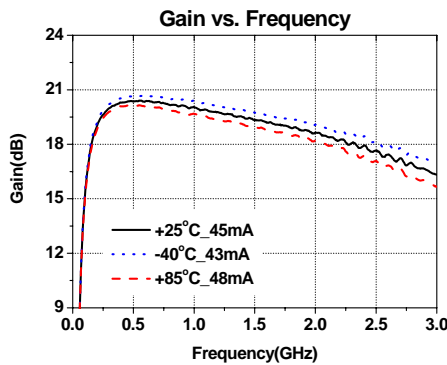
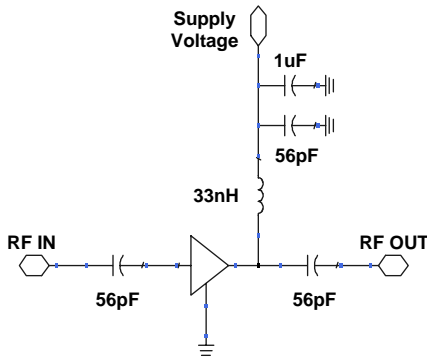
Symbol	Parameters	Units	Freq.	Min.	Typ.	Typ.
S21	Gain	dB	75 MHz 900 MHz 1900 MHz 2300 MHz		20.5 19.8 18.3 17.5	21.0 20.0 18.5 17.5
S11	Input Return Loss	dB	75 MHz 900 MHz 1900 MHz 2300 MHz		-22 -18 -17 -13	-23 -18 -12 -11
S22	Output Return Loss	dB	75 MHz 900 MHz 1900 MHz 2300 MHz		-9 -10 -11 -10	-10 -11 -11 -10
P1dB	Output Power @1dB compression	dBm	75 MHz 900 MHz 1900 MHz 2300 MHz		15.5 15.5 16.5 16.4	18.2 18.0 18.0 17.8
OIP3	Output Third Order intercept	dBm	75 MHz 900 MHz 1900 MHz 2300 MHz		29.0 28.3 28.5 28.0	33.5 32.8 32.0 30.2
NF	Noise Figure	dB	75 MHz 900 MHz 1900 MHz 2300 MHz		3.9 3.9 4.2 4.4	3.9 4.0 4.4 4.7
V / I	Device voltage / current	V/mA			4.5/45	4.8/60
Rth	Thermal Resistance	°C/W			56	65
Tj	Junction Temperature	°C			97	105

Test Conditions : T=25°C, Supply Voltage=+4.5V, 50ohm System, OIP3 measured with two tones at an output power of -3dBm/tone separated by 1MHz.

**Typical RF Performance for 1.9GHz Tuned Application Circuit**

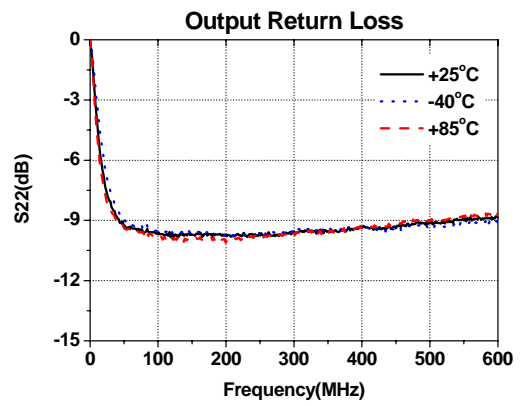
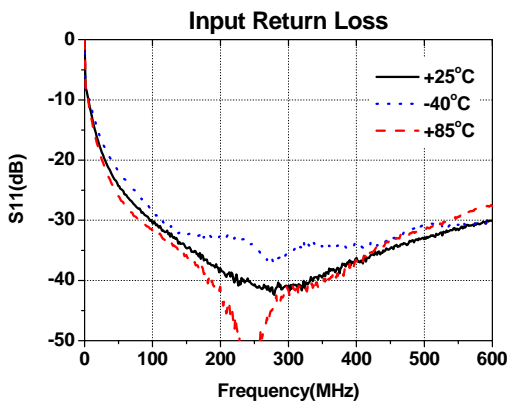
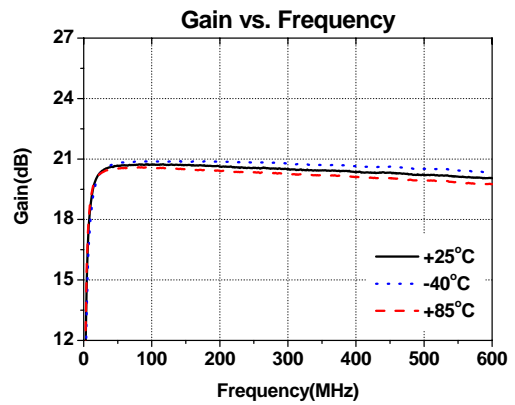
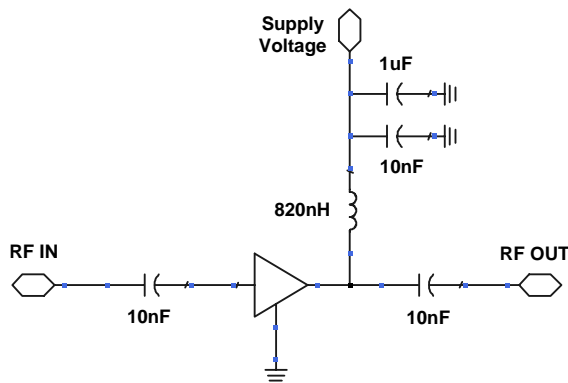
Supply Bias Voltage = 4.5V, Current = 45mA

Frequency	MHz	500	900	1500	1900	2300	3000
S21	dB	20.2	20.0	19.2	18.5	17.8	16.0
S11	dB	-16	-20	-25	-20	-15	-11
S22	dB	-9	-10	-10	-11	-10	-9
P1dB	dBm	15.6	15.5	15.8	16.5	16.4	15.5
OIP3(@-3dBm)	dBm	28.0	28.5	28.5	28.7	28.2	27.2
Noise Figure	dB	4.0	3.9	4.0	4.2	4.4	4.7



**Typical RF Performance for 50 – 500MHz Tuned Application Circuit**  
Supply Bias Voltage = 4.5V, Current= 45mA

Frequency	MHz	75	125	300	500
S21	dB	20.6	20.6	20.4	20.1
S11	dB	-25	-28	-32	-28
S22	dB	-9	-9	-9	-9
P1dB	dBm	15.5	15.7	15.6	15.2
OIP3(@-3dBm)	dBm	29.0	29.2	28.5	29.4
Noise Figure	dB	3.9	4.1	4.1	4.1



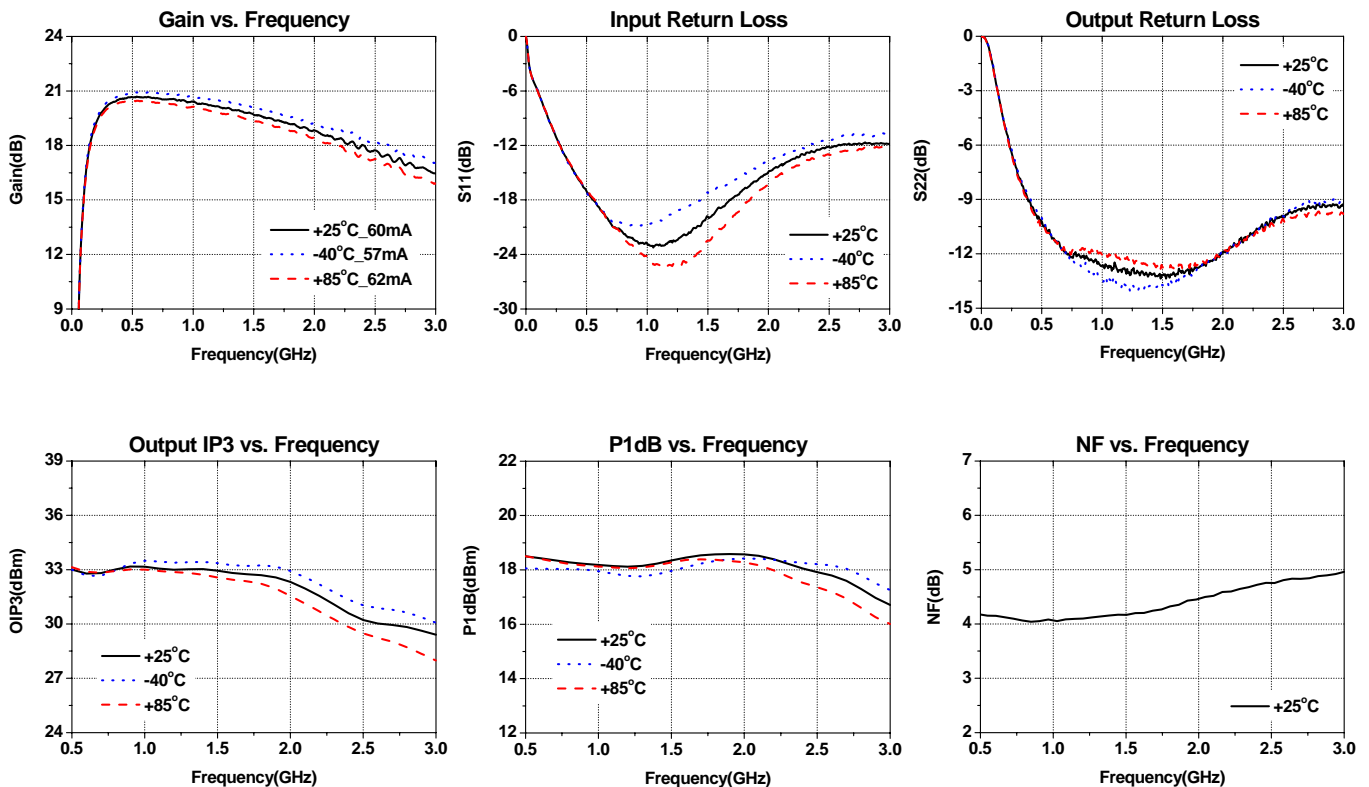
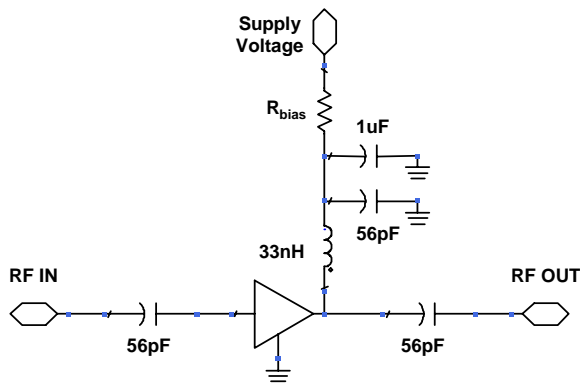
**Typical RF Performance for 60mA @1.9GHz Tuned Application Circuit**

Supply Bias Voltage = 5V, R(bias)= 2.7ohm, Current= 60mA

Frequency	MHz	500	900	1500	1900	2300	3000
S21	dB	20.5	20.2	19.5	18.7	17.8	16.0
S11	dB	-17	-20	-18	-14	-12	-11
S22	dB	-10	-12	-12	-12	-10	-9
P1dB	dBm	18.5	18.0	18.0	18.2	18.0	16.5
OIP3(@0dBm)	dBm	33.0	33.0	32.7	32.2	30.5	29.0
Noise Figure	dB	4.1	4.0	4.1	4.4	4.7	5.0

**Recommended Bias Values**

Supply Voltage	R bias Value	Size
5 V	2.7 Ω	0805
6 V	19.1 Ω	0805
7 V	35.5 Ω	1210
8 V	51.9 Ω	1210
9 V	68.4 Ω	2010
10 V	84.7 Ω	2010
12 V	101.1 Ω	2512



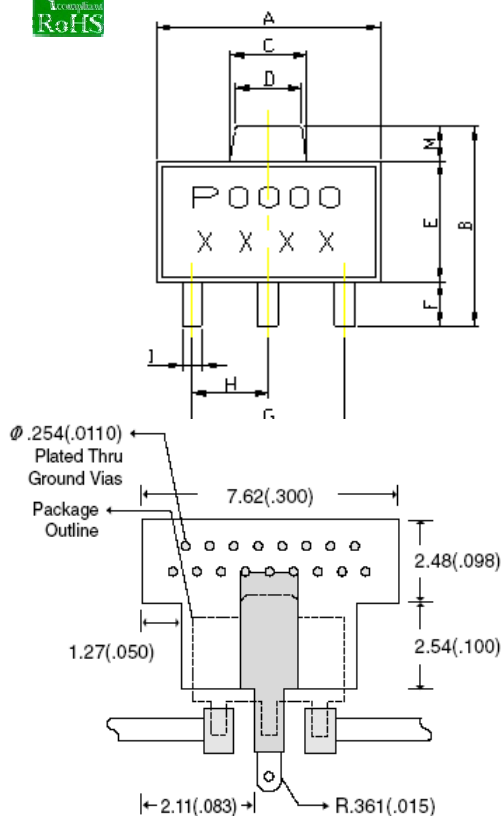
### Absolute Maximum Ratings

Parameter	Rating	Unit
Supply Voltage	+7	V
Supply Current	150	mA
RF Power Input	5	dBm
Storage Temperature	-55 to +125	°C
Ambient Operating Temperature	-40 to +85	°C
Junction Temperature		°C

Operation of this device above any of these parameters may cause permanent damage.



### Lead-free /RoHS Compliant / Green SOT-89 Package Outline

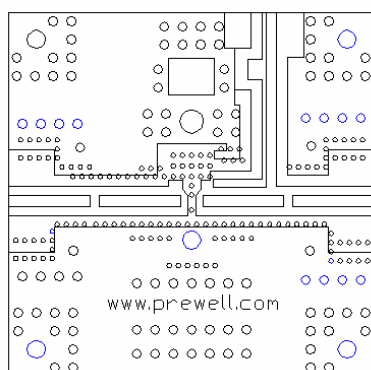


REF	DIMENSIONS Millimeters	
	Min.	Max.
A	4.40	4.60
B	4.05	4.25
C	1.50	1.70
D	1.30	1.50
E	2.40	2.60
F	0.89	1.20
G	3.00 REF.	
H	1.50 REF.	
I	0.40	0.52
J	1.40	1.60
K	0.35	0.41
L	5° TYP.	
M	0.70 REF.	

### ESD / MSL Ratings

- ESD sensitive device. Observe Handling Precautions.
- ESD Rating : Class 2(Passes at 2000V min.) Human Body Model (HBM), JESD22-A114
- ESD Rating : Class IV (Passes at 1000V min.) Charged Device Model (CDM), JESD22-C101
- MSL (Moisture Sensitive Level) Rating : Level 3 at +260°C Convection reflow, J-STD-020

### Evaluation Board Layout (4x4)



### Mounting Instructions

- Use a large ground pad area with many plated through-holes as shown.
- We recommend 1 oz copper minimum.
- Measurement for our data sheet was made on 0.8mm thick FR-4 Board.
- Add as much copper as possible to inner and outer layers near the part to ensure optimal thermal performance.
- RF trace width depends on the board material and construction.
- Add mounting screws near the part to fasten the board to a heatsink.

<http://www.prewell.com>