

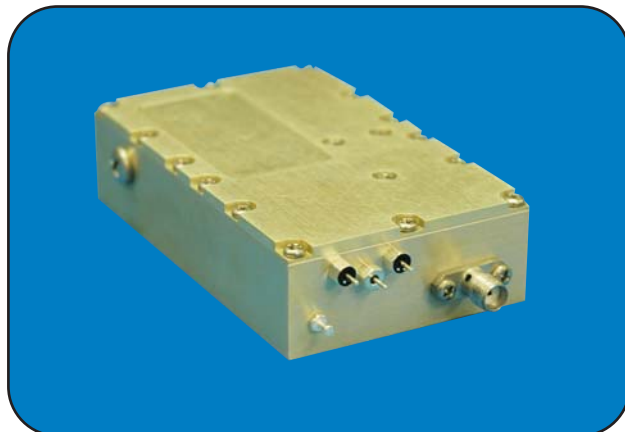
Oscillators

Multiplied Crystal Base Source, 400 MHz

Model: OSC049

Features:

- Mechanical and Electrical Tune
- Fast Warm-Up Time
- Low Phase Noise 5th Overtone SC Crystal Cut
- Ultra Stable Ovenized Oscillator
- Proportionally Controlled Heater



Electrical Specifications

Operating Frequency:	400 MHz
Stability:	1 ppm -40° C to +85° C
Output Power:	13 dBm
VSWR:	1.5:1 Max
SSB Phase Noise (dBc/Hz, typical)	
Offset	
100 Hz	-116 dBc/Hz
1 kHz	-145 dBc/Hz
10 kHz	-150 dBc/Hz
100 kHz	-154 dBc/Hz
1 MHz	-155 dBc/Hz
Vibration Sensitivity:	3 X 10 ⁻¹⁰ /G Typical
Spurious:	>100 kHz - 100 dBc
Sub Harmonics:	>70 dBc
Harmonic Power:	>63 dBc
DC Power:	+/- 15 V @ 6.2 W Total
Mechanical Tune:	+/- 5 ppm
EFC:	+/- 5 ppm (V _t +/- 12V)
Impedance:	>20k Ω

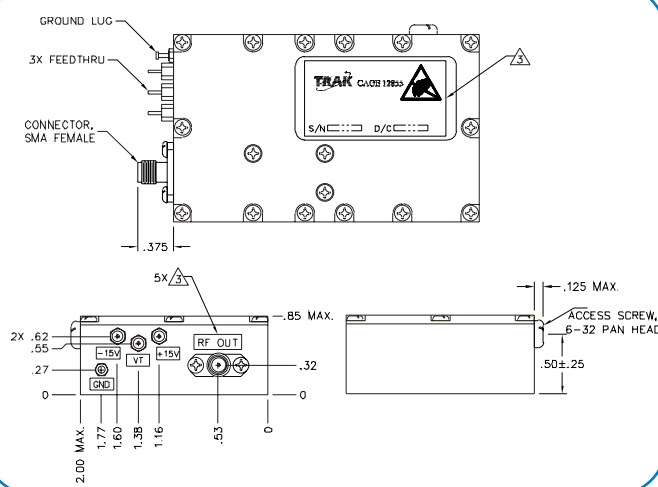
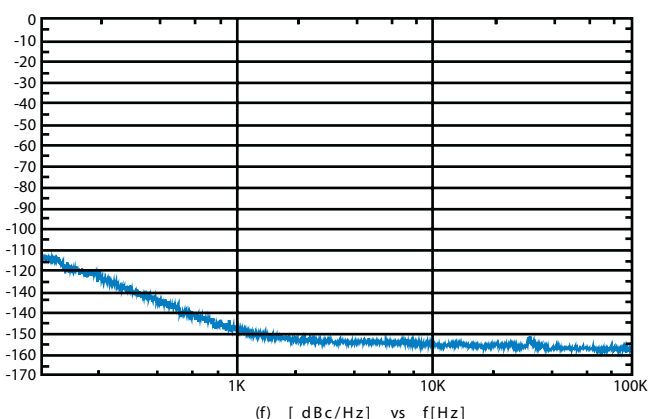
Environmental Specifications

Operating Temperature:	-40° C to +85° C
Environment:	Airborne
Warm-Up Time:	<3 Min @ -40° C to less than 1 ppm

Mechanical Specifications

Size:	See Outline
Weight:	<5.5 Oz

Typical Phase Noise Performance



Specifications subject to change without notice.